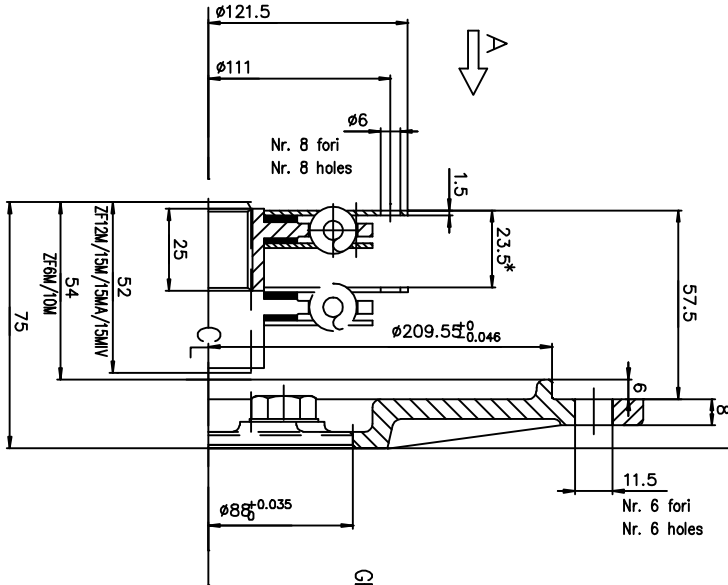


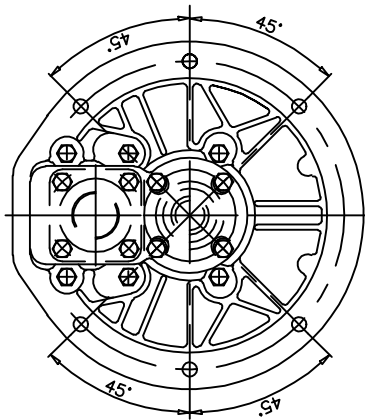


PIANO DI RIFERIMENTO K1
FACE OF REFERENCE K1



ENGINE SIDE

GEARBOX SIDE



VISTA DA "A" (SENZA GIUNTO ELASTICO)
VIEW FROM "A" (WITHOUT DAMPER PLATE)

SCALA 1:2
SCALE 1:2

VERIFICARE COMPATIBILITA' TORSIONALE DEL GIUNTO
CHECK COUPLING SUITABILITY BY TORSIONAL VIBRATION CALCULATION

CONSULTARE DISEGNO DI INSTALLAZIONE
SEE INSTALLATION DRAWING

ASSE ALBERO DI INGRESSO
CENTER LINE INPUT SHAFT

POSSIBILE ESCURSIONE DELLE POSIZIONI DIPENDENTE
DALLA DISTANZA DEL VOLANO RISPETTO AL COPRIVOLANO
AVAILABLE RANGE FOR POSITION OF COUPLING AS DICTATED
BY THE DIMENSION OF FLYWHEEL TO FLYWHEEL HOUSING

GIUNTO A MOLLE SACHS	3306 316 001
SACHS SPRING COUPLING	
KIT CAMPANA ZF6M/10M/12M/15M/15MA	3306 116 001
HOUSING ADAPTER KIT ZF6M/10M/12M/15M/15MA	
KIT CAMPANA ZF15MIV	3306 116 004
HOUSING ADAPTER KIT ZF15MIV	

Model Descr. ISO

Technical Information	Unit	Value
ZF 6M/10M/12M/15M/15MA	Dimension	20x13x07
ZF 15MIV	Dimension	20x13x07
	Material	BR9
	Surface Treatment	UNI A2

ENGINE CONNECTION
(BORIS WARNER)

APPLICATION DRAWING

ZF MARINE AROD S.p.A.
3306 616 009

3306 616 009?